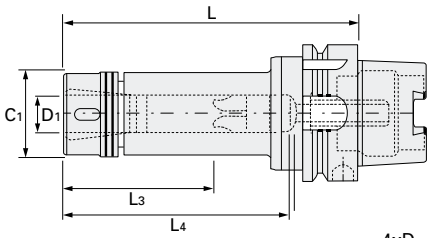
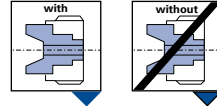
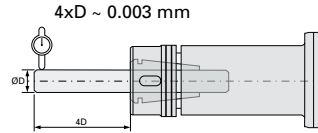


Milling Chucks

NIK12 | Nik Chuck - HSK DIN 69893 A+E - High Balanced



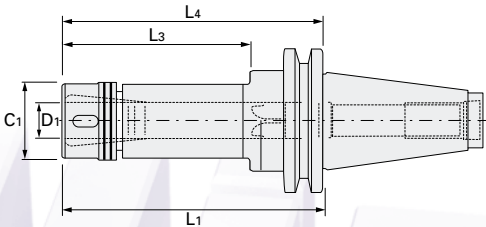
up to G2.5
up to 42,000 rpm
up to 4xD 0.003 mm



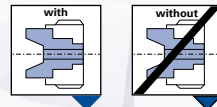
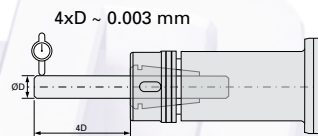
ID Code	Item-Code	Stock	D ₁ *	C ₁	L ₁	L ₃	L ₄	Weight/kg
NT121	HSK40E-NIK12-90G	■	3~12	34	90	33~55	~ 40	0.8
NT116	HSK50E-NIK12-120G	■	3~12	34	120	33~70	~ 80	0.9
NT117	HSK63A-NIK12-120G	■	3~12	34	120	33~70	~ 80	1.3
NT118	HSK100A-NIK12-150G	■	3~12	34	150	33~70	~100	3.3

■ = Stock | Germany

NIK12 | Nik Chuck - SK DIN 69871 - High Balanced



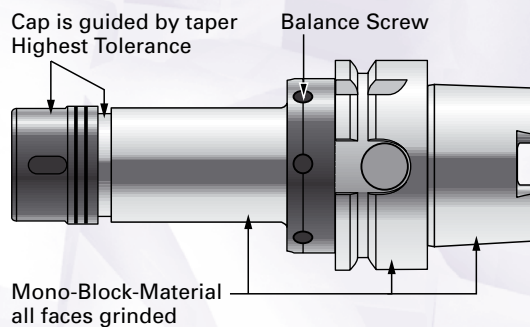
up to G2.5
up to 42,000 rpm
up to 4xD 0.003 mm



ID Code	Item-Code	Stock	D ₁ *	C ₁	L ₁	L ₃	L ₄	Weight/kg
NT115	SK40-NIK12-120G	■	3~12	34	120	33~70	~120	1.4

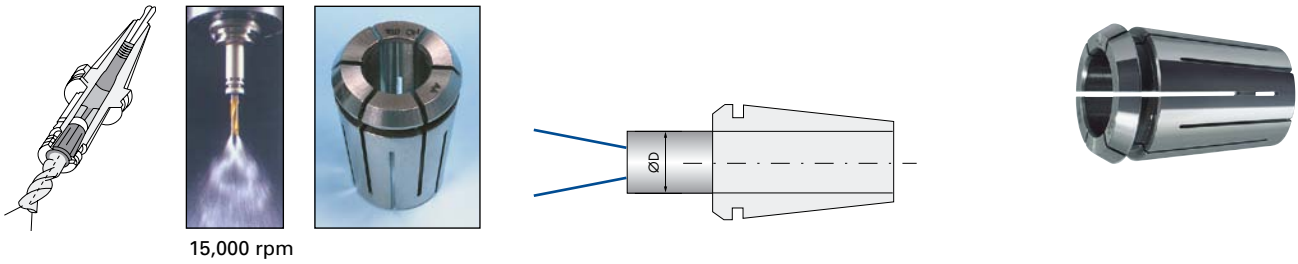
■ = Stock | Germany

SPECIAL FEATURES



Milling Chucks

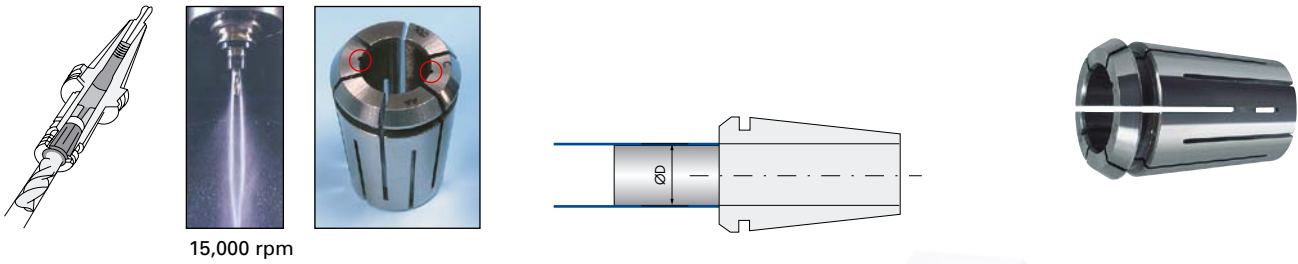
FDC-OHAA | Nik Chuck - Collets for NIK12



15,000 rpm

ID Code	Item-Code	Stock	ØD
NT102	FDC-03012OHAA	■	3
NT103	FDC-04012OHAA	■	4
NT033	FDC-05012OHAA	■	5
NT104	FDC-06012OHAA	■	6
NT034	FDC-07012OHAA	■	7
NT105	FDC-08012OHAA	■	8
NT035	FDC-09012OHAA	■	9
NT106	FDC-10012OHAA	■	10
NT036	FDC-11012OHAA	■	11
NT107	FDC-12012OHAA	■	12
NT119	SET-FDCOHAA	■	3,4,6,8,10,12

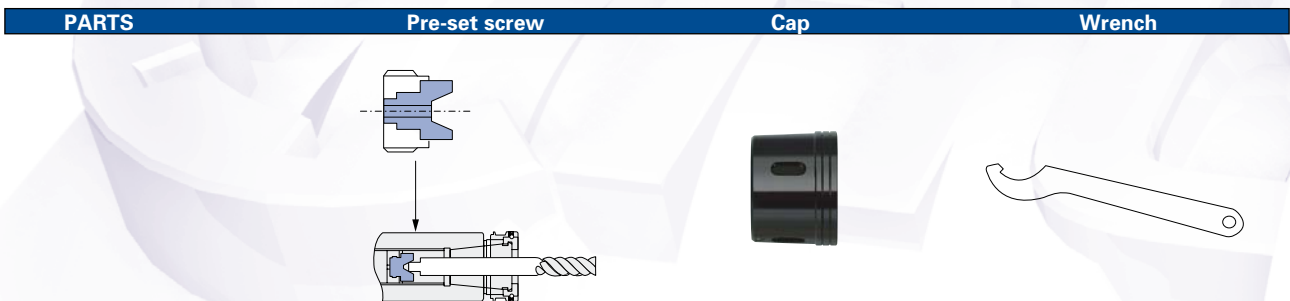
FDC-CAA | Nik Chuck - Collets for NIK12



15,000 rpm

ID Code	Item-Code	Stock	ØD
NT108	FDC-03012CAA	■	3
NT109	FDC-04012CAA	■	4
NT110	FDC-06012CAA	■	6
NT111	FDC-08012CAA	■	8
NT112	FDC-10012CAA	■	10
NT113	FDC-12012CAA	■	12
NT120	SET-FDCCAA	■	3,4,6,8,10,12

Spare Parts for NIK12



	Stock	ID Code	ID Code	ID Code
HDS-12	■	NT123		
GDP-12	■		NT122	
FK-0030	■			NT127

■ = Stock | Germany